

# Easy Energy Easy Life



## Slenergy Technology GmbH

Address: Hamburger Allee 2-4 60486 Frankfurt a.M. Germany

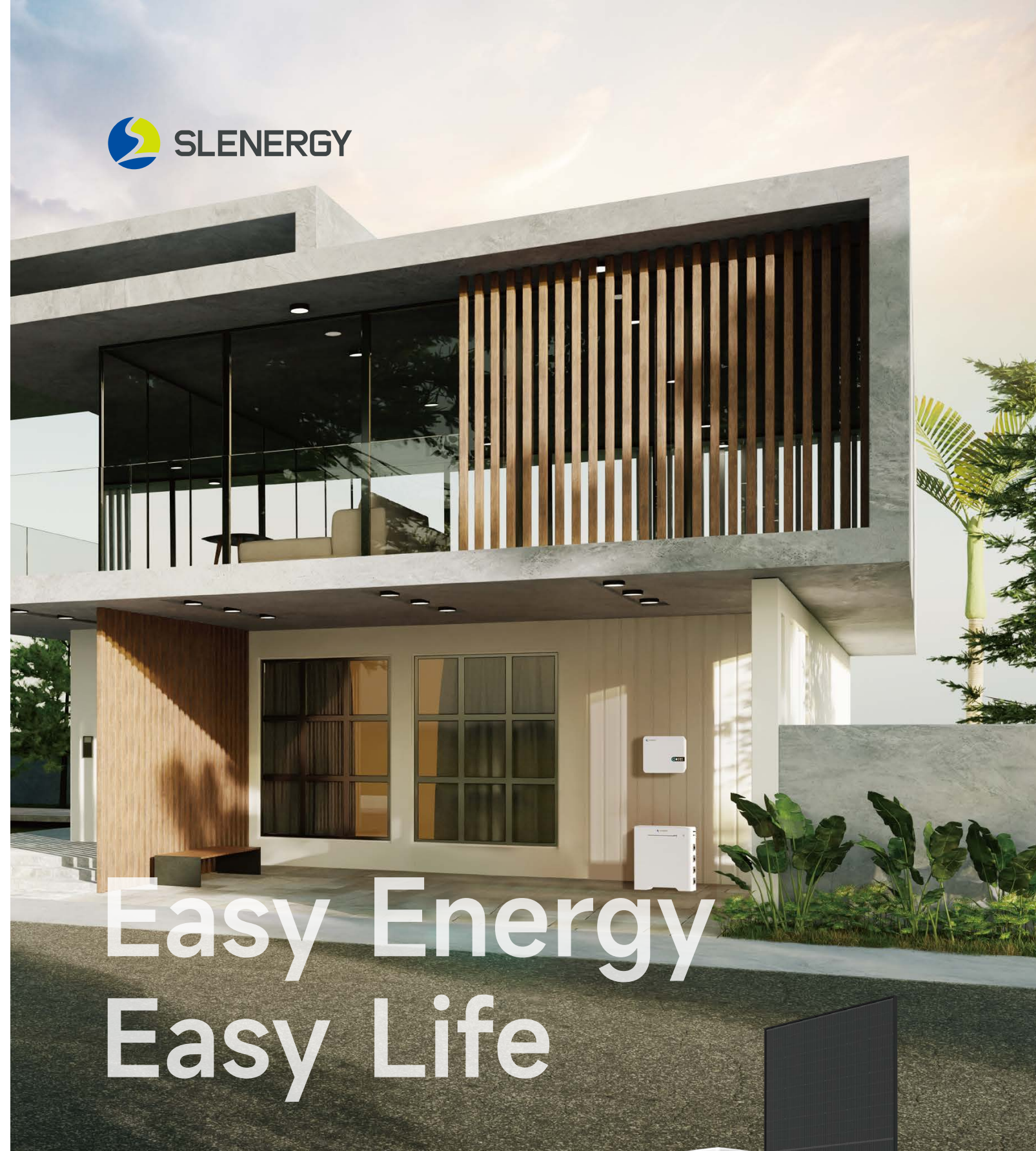
## Slenergy Technology Co, S.L.

Address: Avenida de Europa 26, edificio atica V. 2ºF, 28224 Pozuelo de Alarcón, Madrid.

E-mail: [marketing@slenergy.com](mailto:marketing@slenergy.com) Website: [www.slenergy.com](http://www.slenergy.com)



Disclaimer: The information in this document is for reference only, and does not constitute any offer or acceptance. The changes of the product parameters or configuration are subject to the latest information.



## Share-Home

One-Stop Residential Smart Energy Solution





1

Company  
Introduction

P3

2

iShare-Home

P5



3

System  
Configuration

P11

4

Product  
Introduction

P15

5

Product  
Application Cases

P41

# COMPANY INTRODUCTION

In the early months of 2023, Slenergy was founded by experienced experts in the international field of residential photovoltaics, along with a top-notch management team. It is committed to becoming a global leading provider of sustainable smart energy solutions by providing more efficient, reliable, economical, and convenient solutions and services. Its core products include standardized solutions applicable for all scenarios (residential, C&I, micro and off-grid, etc.), PV and energy storage inverters, smart junction boxes, portable energy storage products, smart energy management systems, etc. As a visionary player in the new energy industry, the company aims to upgrade the new energy sector with precision manufacturing and create rewarding products with innovative technologies.

Slenergy has inherited excellent "intelligent manufacturing genes" in technology research, product quality, intelligent manufacturing, and other aspects. Slenergy has set up R&D centers in Germany and China, and its production base is in Chuzhou, China. The core team has over 10 years of R&D and technology accumulation in PV products, with over 150 technical staff. The company has set up branches and customer service centers in Hong Kong, Germany, Spain, etc., and its overseas businesses cover the whole Europe. It plans to enter markets such as North America, Australia, the Middle East and Africa, Southeast Asia, Brazil, and other regions.

With the country's vision of achieving carbon peak and carbon neutrality and the introduction of stricter net-zero emission reduction plans globally and in various regions, Slenergy responds to the call and expects to help the entire industry achieve upgrading through the introduction of precision manufacturing and smart manufacturing and to transform energy independence into reality by building the capacity of the smart energy ecosystem.

## Rooted in Top Brand manufacturing standards, create a new benchmark for the industry

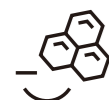
Intelligent manufacturing  
Improve the quality and efficiency



Advantage integration  
Shorter process



Exquisite craftsmanship  
Precision manufacturing



Intelligent systems  
Intelligent management and control

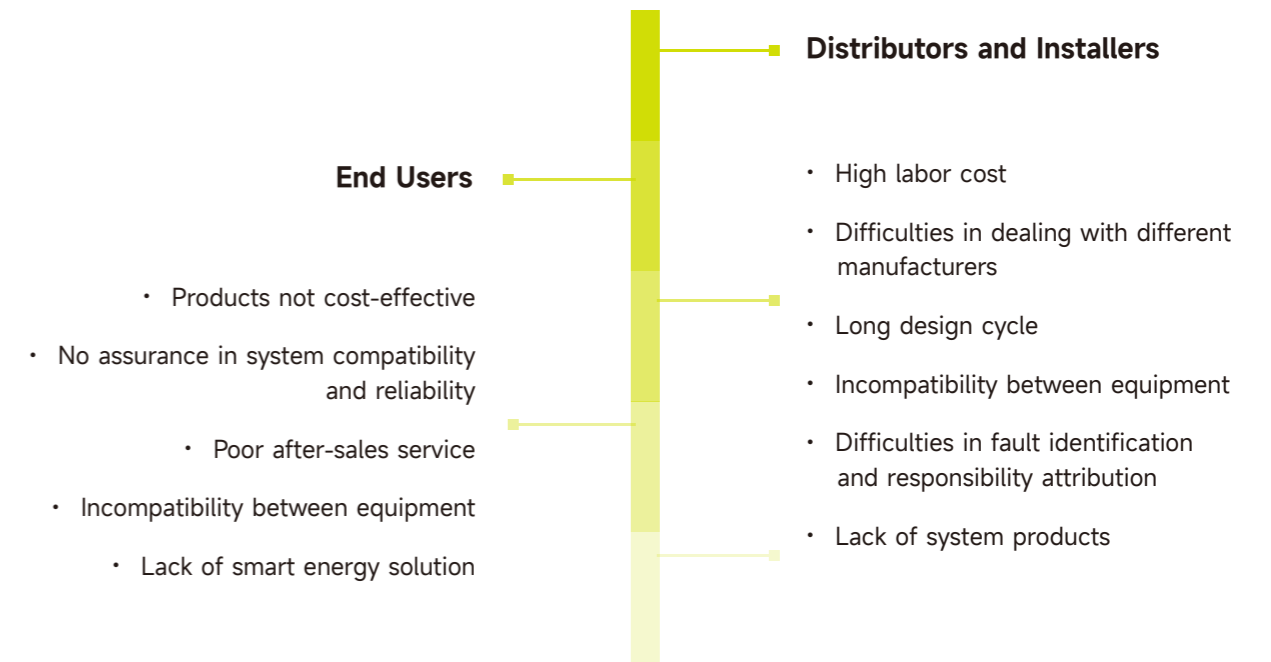


Visible process  
Traceable results



## iShare-Home

The current photovoltaic (PV) market presents a range of challenges that hinder efficiency and value across the board. At iShare-Home, we've identified these shortcomings and are committed to revolutionizing the solar energy landscape. Our innovative approach addresses these market gaps, ensuring a seamless experience for distributors, installers, and end-users alike.



An One-Stop residential smart solar solution for homeowners who want to reduce their energy cost and minimize their carbon footprint.

The innovative system adopts a standardized and modular design, integrating solar panels, mounting structure, hybrid inverter, energy storage, cable set, and smart monitoring system to create an ONE-STOP residential energy solution for you.

# iShare-Home

## One-Stop Solution

### Unified Brand & Single-window purchasement

Gain valuable time with a streamlined procurement process. Our single-window approach consolidates purchasing, saving you precious moments and eliminating the hassle of dealing with multiple suppliers.

### One-Stop Delivery

Elevate Your Energy Journey with Our One-Stop Delivery: Solar Panels, Hybrid Inverter (complete with meter and CT), Energy Storage Battery, Mounting Structures, Cable Set, Smart Energy Management System, Heat Pump, EV Charger, and iBox for Full Protection of Your Electrical System.

### One-Stop Service

Experience Seamless Excellence with Our One-Stop Service: From Systematic Design and Quality Warranty to After-Sales Support, Training, Delivery, and Packing - We've Got Every Aspect Covered.



## Products Highlights

### • Standardized Design

**A Standardized BOM** Featuring a standardized Bill of Materials (BOM), iShare-Home minimizes design time, streamlining the process for a more efficient and effective solution.

### • Modular Design

**Modular mounting structure, Modular battery** Tailored Flexibility: Allowing for flexible configurations that cater to unique needs and preferences. **Adaptable Growth:** Ease to be scalable, iShare-Home accommodates future upgrades seamlessly. Modular mounting structure, providing flexible adaptation to different roofs.

### • Modular Packaging

**Packed and Delivered as Set** Mounting structure and cable are packed and delivered as set to reduce the time and errors of primary and secondary sorting.

### • Simple Installation

**Pre-installed cable terminals, Battery installed in stack, Plug and Play** Preassembled parts, including cable terminals, mounting structure, and stacked battery installation, make it a plug-and-play system, reducing installation time by up to 17%.

### • Smart Operation and Maintenance

**Total Control at Your Fingertips** Energy generation and consumption through continuous, real-time system monitoring.

**Smart Control strategies** Intelligent management of all devices, including Inverters, energy storage, heat pumps, charging stations, etc. for cost-effective and eco-friendly energy usage, optimizing control strategies for maximum savings.

**Adaptable Connectivity** Reserved interfaces seamlessly integrate with smart devices, turning your home into an intelligent technology hub. 7/24h Intelligent Management.

### Unified Brand & Single-window Purchasement



### One-Stop Delivery



### One-Stop Service

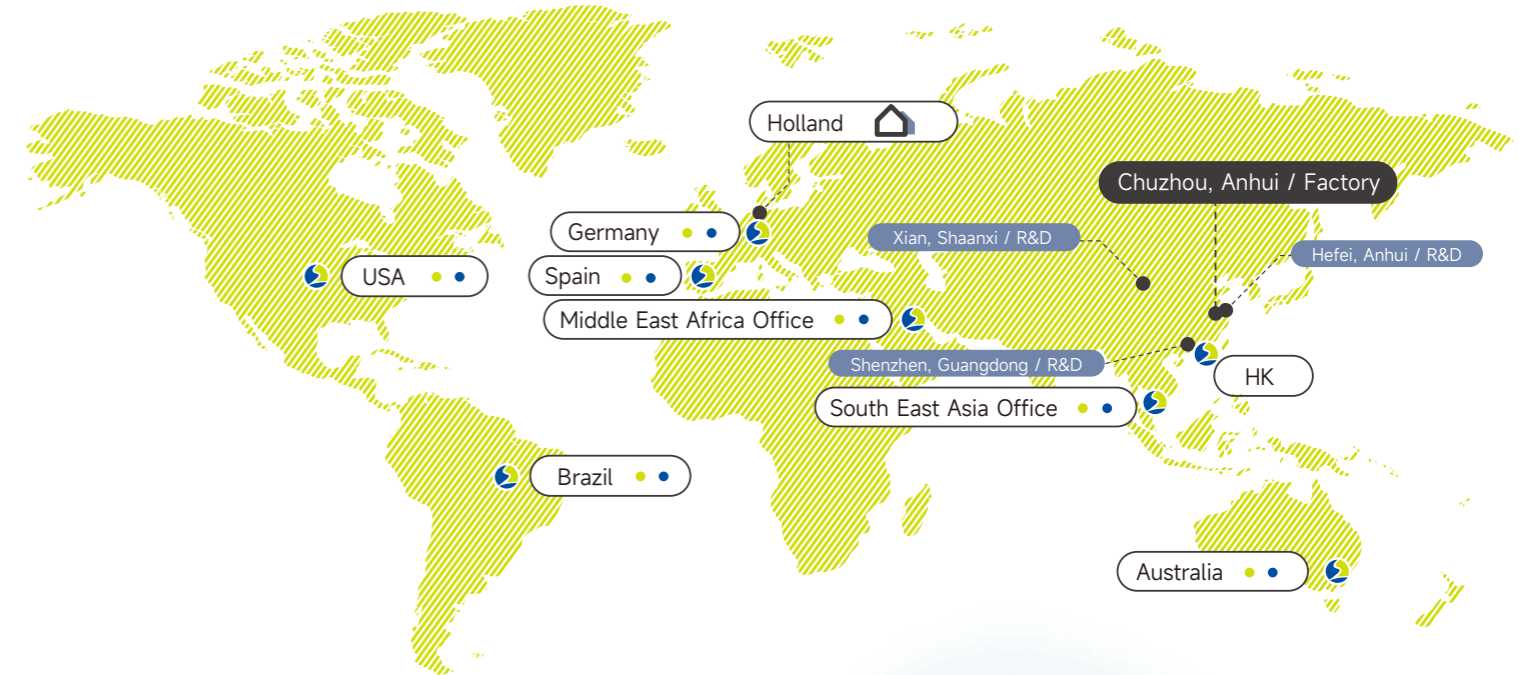
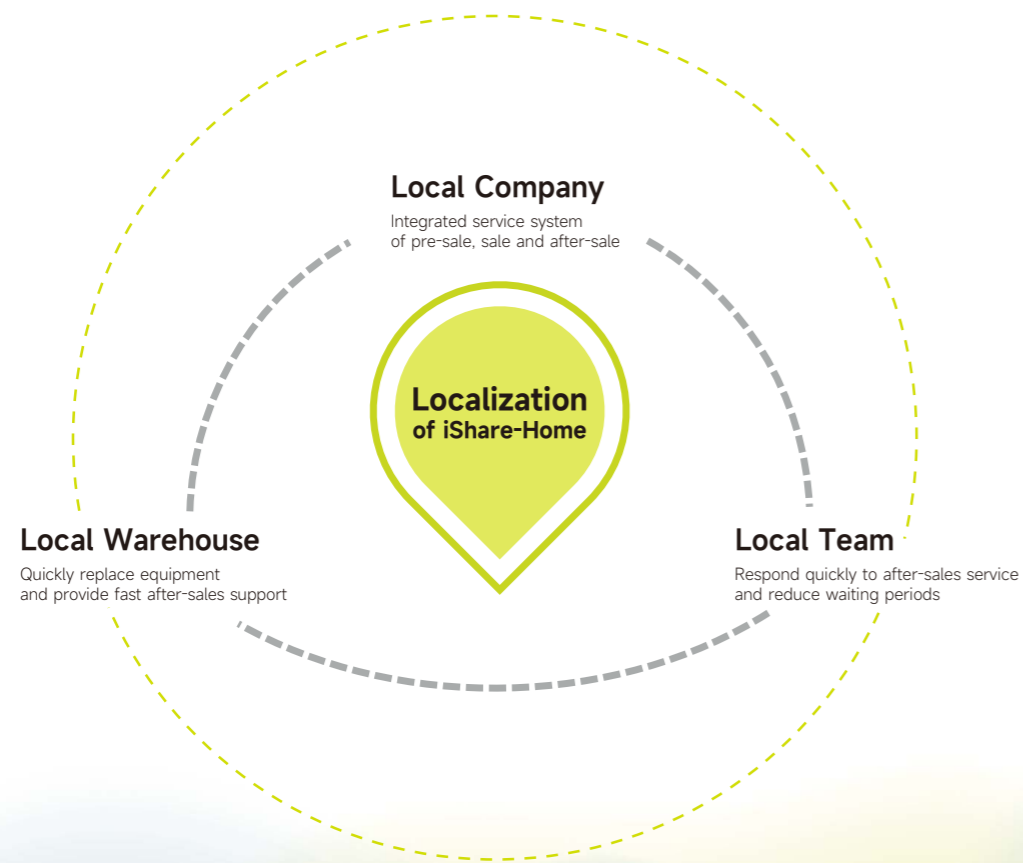


# Localization of iShare-Home

Base
 Marketing Center
 Service
 Warehouse

R&D Center

Factory



In terms of localization construction, we have local companies, local warehouses, and local service teams to support various service demands

## 24/7 Service

Local service hotlines are set up in various regions around the world to provide prompt assistance. We strive to respond to inquiries within one hour.

## Training and Support

We are committed to offering comprehensive training and support. Any inquiries received via email will be addressed within two hours.

## Processing within 3 Business Days

In order to ensure efficient maintenance and replacement services, we have established spare parts centers and logistics networks in different sales regions worldwide. Upon receiving equipment requiring repair, we guarantee a rapid response and aim to resolve the issue within three business days.

## 7 Points Advantage Really Easy For Installers

# 7+

### + Design

- Saving design time
- Reducing design costs

### + Purchase

- Single-window procurement
- Single purchase contract and payment terms
- Direct supply from the factory, eliminating intermediaries

### + Delivery

- Distribution from localized warehouse
- An one-off delivery of the complete equipment
- Short delivery periods (within one week)
- No secondary packaging and direct delivery to end customers

### + Installation

- Pre-installed terminal connectors for wiring harnesses, enabling plug and play wiring
- Battery stacked installation, offering convenience and speed
- Modular mounting structure, providing flexible adaptation to different roofs

### + Service

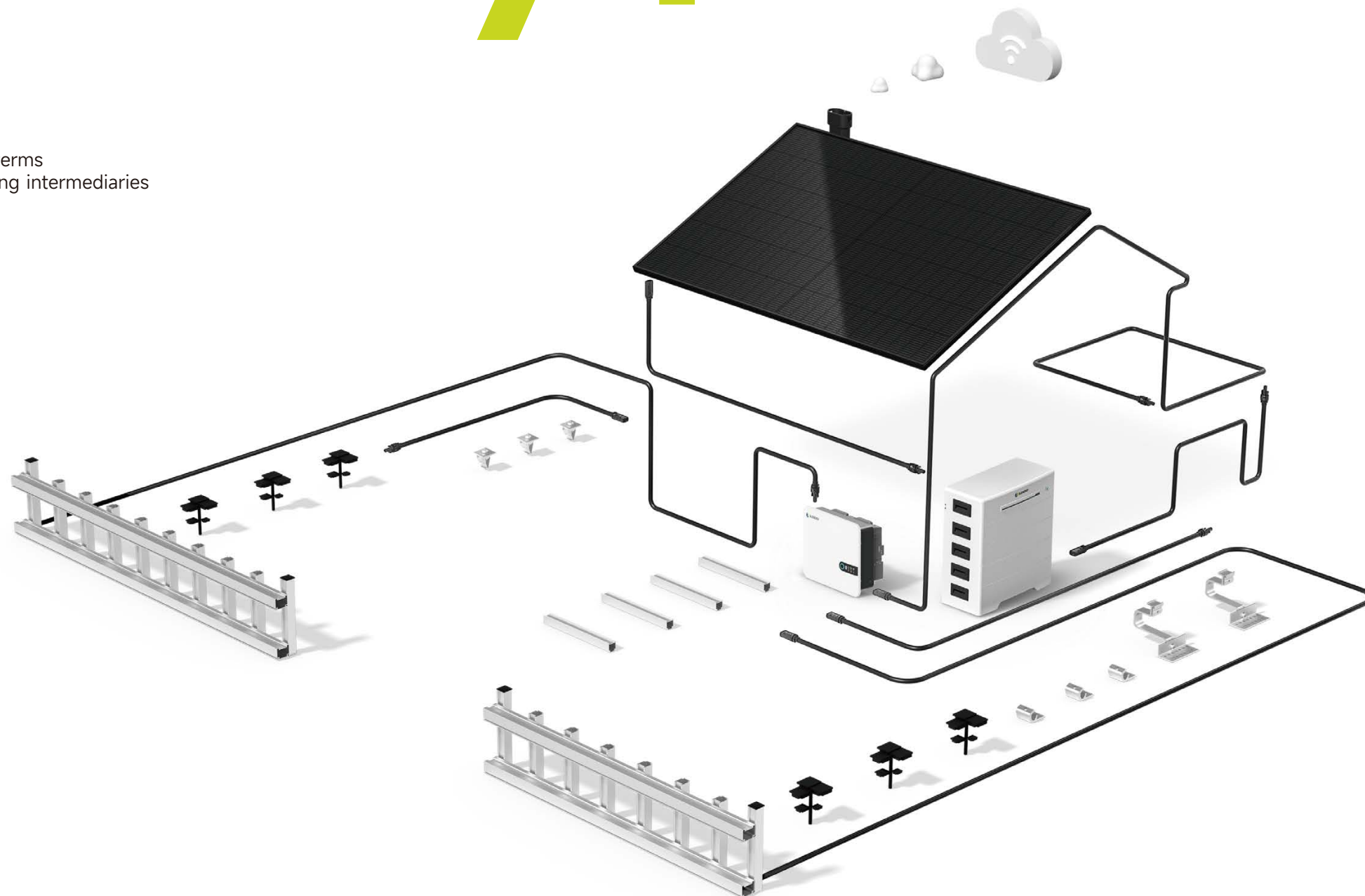
- Systematic training of Installation and commissioning
- Localized technical support services during pre-sales, sales, and after-sales

### + Warranty

- Single liability warranty
- Original equipment manufacturer warranty

### + Save

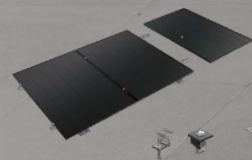
- Reduce capital occupation
- Achieving optimal inventory circulation
- Direct delivery from warehouses to end-user households



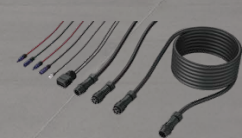
# SYSTEM CONFIGURATION



**Monocrystalline Module**  
(Full Black)  
SL-DG108NA-425 / SL-108NA-425  
Intelligent Junction Box (Optional)



**Mounting System**  
For Tile Roof / Flat Roof



**Cable Set**  
Wiring Connection-RS (B)  
Wiring Connection-LS (B)



**Hybrid Inverter**  
SL3-8KLH-W  
SL5-12KRH-W



**SmartBox**



**iBox**  
SL-BH12KR  
SL-BH15KR  
SL-BH5KL  
SL-BH10KL



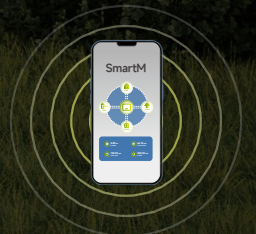
**Battery**  
SL-BH High Voltage



**Heat Pump**  
SL-HP9KL  
SL-HP12 / 18KR



**Smart EV Charger**  
SL-CH SERIES



**SmartM**

### iShare-Home Smart Solar Solution LS

Model	iShare-Home 3kW	iShare-Home 4.6kW	iShare-Home 6kW	iShare-Home 8kW
System Capacity [kW <sub>AC</sub> ]	3	4.6	6	8
No. PV Modules(pcs)/425W	6/8	10/14	16/18	20/22/24
DC Capacity [kW]	2.55/34	425/5.95	6.8/7.65	8.5/9.35/10.2
Effective Roof Area Approx. [m <sup>2</sup> ]	14~18	22~30	34~39	43~52
Inverter	SL3KLH-W	SL4.6KLH-W	SL6KLH-W	SL8KLH-W
Battery	SL-BH-2-5 ~ SL-BH-8-20			
Cable set	DC Cable: H1Z2Z2-K 1x6mm <sup>2</sup> ; UL 11627 10AWG AC Cable: NYY-J 3G4mm <sup>2</sup> /6mm <sup>2</sup> /8mm <sup>2</sup> Earthing Cable: NYY-1x6mm <sup>2</sup> ; H07V-K 6mm <sup>2</sup> Ethernet Cable: UTP CAT5e			
Mounting structure set	Rail, hook kit/hanger bolt kit, rail connector, mid-clamp, end-clamp, earthing lug and other accessories			
iBox	SL-BH5KL	SL-BH10KL		
SmartBox	Optional			
Heat Pump				
EV Charger				
<b>Italy</b>				
Power generation estimates [kWh/day]	9-12	15-20	23-26	29-35
Power generation estimates [kWh/year]	3185-4246	5308-7430	8492-9554	10615-12738
<b>Spain</b>				
Power generation estimates [kWh/day]	10-13	17-24	27-30	34-40
Power generation estimates [kWh/day]	3680-4907	6134-8587	9814-11040	12267-14721

The power generation is calculated based on Rome, Italy. The annual peak sunshine hours are 1523h.  
The power generation is calculated based on Madrid, Spain. The annual peak sunshine hours are 1760h.  
Each kWh generated reduces 0.997kg of CO<sub>2</sub>.



### iShare-Home Smart Solar Solution RS

Model	iShare-Home 5kW	iShare-Home 6kW	iShare-Home 8kW	iShare-Home 10kW	iShare-Home 12kW
System capacity [kW <sub>AC</sub> ]	5	6	8	10	12
No. PV modules (pcs)/425W	12/14	16/18	20/22/24	26/28/30	32/34/36
DC Capacity [kW]	5.1/5.95	6.8/7.65	8.5/9.35/10.2	11.05/11.9/12.75	13.6/14.45/15.3
Effective Roof Area Approx.	35m <sup>2</sup> ~40m <sup>2</sup>	36m <sup>2</sup> ~44m <sup>2</sup>	48m <sup>2</sup> ~65m <sup>2</sup>	65m <sup>2</sup> ~85m <sup>2</sup>	90m <sup>2</sup> ~110m <sup>2</sup>
Inverter	SL5KRH-W	SL6KRH-W	SL8KRH-W	SL10KRH-W	SL12KRH-W
Battery	SL-BH-7-17	SL-BH-3-7 ~ SL-BH-8-20			
Cable set	DC Cable: H1Z2Z2-K 1x6mm <sup>2</sup> ; UL 116270 10AWG; UL 11627 8AWG AC Cable: NYY-5x4mm <sup>2</sup> /5x6mm <sup>2</sup> Grounding Cable: H07V-K 6mm <sup>2</sup> ; NYY 1x6mm <sup>2</sup> Communication Cable: UTP CAT5e Connectors				
Mounting Structure set	Rail, hook kit, rail connector, mid-clamp, end-clamp, earthing lug and other accessories				
iBox	Germany Optional/Italy,Spain 1 Set				
SmartBox	Optional				
Heat pump					
EV Charger					
Smart M	1 set				
<b>Germany</b>					
	14-16	18-20	23-27	29-34	36-41
	4939-5762	6585-7408	8231-9878	10701-12347	13171-14817
<b>Italy</b>					
Power generation estimates [kWh/day]	17-20	23-26	29-35	38-44	47-52
Power generation estimates [kWh/year]	6369-7430	8492-9554	10615-12738	13800-15923	16984-19108
<b>Spain</b>					
Power generation estimates [kWh/day]	20-24	27-30	34-40	44-50	54-60
Power generation estimates [kWh/day]	7360-8587	9813-11040	12267-14721	15947-18401	19628-22081

Larger capacity systems can be configured according to demand.  
The power generation is calculated based on Munich, Germany. The annual peak sunshine hours are 1181h.  
The power generation is calculated based on Rome, Italy. The annual peak sunshine hours are 1523h.  
The power generation is calculated based on Madrid, Spain. The annual peak sunshine hours are 1760h.  
Each 1kWh generated reduce 0.997kg of CO<sub>2</sub>.



# PRODUCT INTRODUCTION

N Type

## Monofacial Module (Full Black) Bifacial Module (Full Black)

SL-108NA-425

SL-DG108NA-425

- Excellent Anti-PID performance
- Leading module efficiency in industry, up to 21.76%
- Excellent wind and snow loads up to 5400Pa under specific installation methods
- Lower current, higher power generation, lower risk of hot spots
- Excellent low irradiation performance
- 12 years product quality warranty, 30 years linear output power warranty

- Bifaciality is up to 80%, up to 30% more energy yield than conventional modules
- Leading module efficiency in industry, up to 21.8%
- Higher power output even under low-light environment like on cloudy or foggy days
- Both Side cell, symmetrical design, low risk of micro-crack
- More extensive application scenes, such as BIPV, snow field, vertical installation, high humidity, strong wind and desert region
- 25 years materials warranty, 30 years power warranty

Maximum Power Output **425W**

Maximum Module Efficiency **21.76%**

Power Output Tolerance **0~+5W**

Maximum Power Output **425W**

Maximum Module Efficiency **21.8%**

Power Output Tolerance **0~+5W**

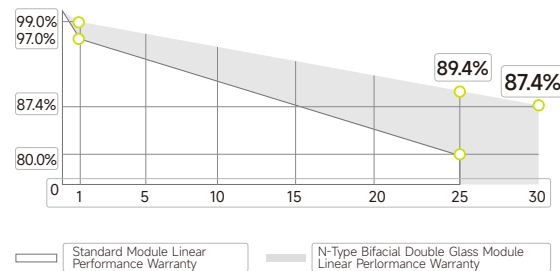
### Product and Quality Certifications

108NA-425

- IEC 61215, IEC 61730
- ISO 9001:2015: ISO Quality Management System Certification
- ISO 14001:2015: ISO Environmental management system certification
- ISO 45001:2018: Occupational Health and Safety Management System Certification

DG108NA-425

- IEC 61215, IEC 61730
- ISO 9001: Quality Management System
- ISO 14001: Environment Management System
- ISO 45001: Occupational Health and Safety Management System
- IEC 62716, IEC 61701: Ammonia, Salt mist corrosion test
- IEC TS 62804-1, IEC 60068-2-68: PID test, Dust and Sand test

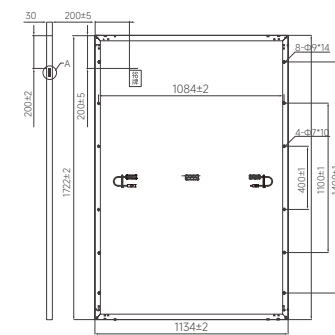


1.00% 1st-Year Degradation

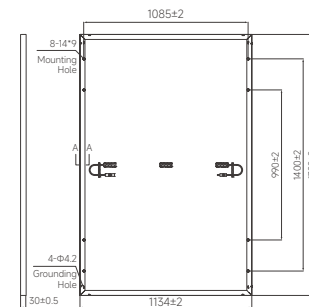
0.40% Annual Degradation Over 30 Years



#### Engineering Drawing (mm)

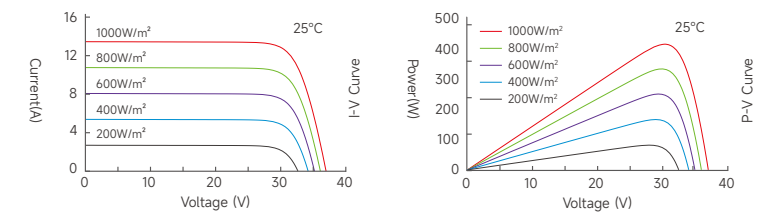
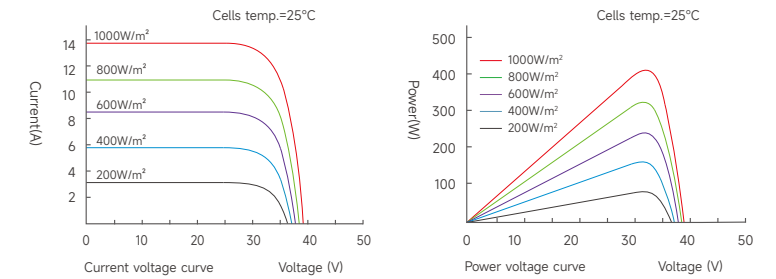


SL-108NA-425



SL-DG108NA-425

#### Characteristic Curves



MODEL	SL-108NA-425	SL-DG108NA-425
<b>Electrical Parameters (STC*)</b>		
Nominal Max. Power [Pmax/W]	425	425
Open Circuit Voltage [Voc/V]	37.83	38.54
Short Circuit Current [Isc/A]	14.05	13.79
Operating Voltage [Vmp/V]	31.94	32.35
Operating Current [Imp/A]	13.31	13.14
Efficiency [%]	21.76	21.8
STC*: Irradiance=1000 W/m², Cell Temperature=25°C, AM=1.5 Test condition is based on the front side		
<b>Electrical Parameters (NMOT*)</b>		
Nominal Max. Power [Pmax/W]	320	319.0
Open Circuit Voltage [Voc/V]	35.35	36.46
Short Circuit Current [Isc/A]	11.32	11.11
Operating Voltage [Vmp/V]	29.83	30.28
Operating Current [Imp/A]	10.73	10.54
NMOT*: Irradiance=800 W/m², Ambient Temperature=20°C, AM=1.5, Wind Speed=1m/s Test condition is based on the front side		
<b>Operating Parameters</b>		
Max. System Voltage	DC1500V	DC1500V
Power Tolerance	0~+5W	0~+5W
Operating Temperature	-40°C~+85°C	-40°C~+85°C
Max. Fuse Rated Current	25A	30A
Mechanical loading	5400Pa (Front Side), 2400Pa (Rear Side)	
<b>Mechanical Parameters</b>		
Cell Type	N Type	N Type
Module Size	1722×1134×30mm	1722×1134×30mm
Glass Thickness	3.2mm	1.6mm
Module Weight	21.5kg	20.5kg
Output Cable	4mm², cable length 1200mm	4mm², cable length 1200mm
Connector	MC4 compatible	MC4 compatible
Junction Box	IP68, 3 bypass diodes	IP68, 3 bypass diodes
Frame	Anodized aluminium alloy (Black)	Anodized aluminium alloy (Black)
<b>Temperature Coefficients</b>		
Short Circuit Current [Isc]	0.050%/°C	+0.045%/°C
Open Circuit Voltage [Voc]	-0.263%/°C	-0.25%/°C
Nominal Max. Power [Pmax]	-0.343%/°C	-0.300%/°C
Nominal operating battery temperature	45±2°C	42±2°C
Safety level	Class II	
Fire rating	Class C	
<b>Packing Data</b>		
36 pieces per pallet	936 pcs per 40'HC	



# Hybrid Inverter

## SL3-8KLH-W

### Single-Phase

Flexible Design & Use | Energy Independence |  
Convenient Installation & Operation | Smart Management

1

#### Flexible Design & Use

- DC 16A current input, compatible with high power PV module.
- 32A charge/discharge current.
- Supports application in retrofit scenario.
- UPS Switching time <10ms.

2

#### Energy Independence

- Fast charging / discharging to meet the demand of higher consumption.
- 10kW power of off-grid overloading@600s.
- DC/AC ratio up to 2.6.

3

#### Convenient Installation & Operation

- Unique push-in connectors for time-saving installation.
- Touch free commissioning with smartphone.
- Compact size and elegant appearance.

4

#### Smart Management

- Remote firmware update and customizable settings.
- Free online monitoring to enhance energy management for end user, installer and retailer.
- Programmable supply priority for PV, Battery or Grid.

MODEL	SL3KLH-W	SL3.6KLH-W	SL4.6KLH-W	SL5KLH-W	SL6KLH-W	SL8KLH-W
<b>PV (DC)</b>						
Max. PV Input Power*	7000 Wp	7000W Wp	12600 Wp	13000 Wp	14000 Wp	16000 Wp
Max. Input Voltage**	600 V					
Start-up Voltage	120 V					
Rated Input Voltage	370 V					
MPPT Input Voltage Range**	100-550 V					
MPPT Max. Input Current	16 A	16 A / 16 A				16 A / 32 A
MPPT Short-circuit Current	20 A	20 A / 20 A				20 A / 40 A
No. of MPPT	1	2				
No. of Strings per MPPT	1	1 / 1				1 / 2
<b>Grid (AC)</b>						
Max. Input Apparent Power***	10350 VA					12650 VA
Rated Output Power	3000 W	3680 W	4600 W	5000 W	6000 W	8000 W
Max. Output Apparent Power	3000 VA	3680 VA	4600 VA	5000 VA	6000 VA	8000 VA
Rated AC Voltage	L/N/PE, 220/230/240 V					
Input/Output Voltage Range	154-276 V					
Rated Output Voltage Frequency	50/60 Hz					
Input/Output Voltage Frequency Range	(45-55)/(55-65) Hz					
Rated Output Current	13.04 A	16.00 A	20.00 A	21.74 A	26.09 A	34.78 A
Max. Input/Output Current***	45 / 16 A	45 / 18 A	45 / 23 A	45 / 25 A	45 / 28 A	55 / 36 A
Power Factor (Rated)	>0.99					
Adjustable Power Factor Range	0.8 leading ... 0.8 lagging					
Total Harmonic Distortion	<3% (Rated Power)					
Grid Connection Mode	L/N/PE					
<b>AC Load Output (Off-grid)</b>						
Rated Output Power	3000 W	3680 W	4600 W	5000 W	6000 W	8000 W
Max. Output Apparent Power	10000 VA@600s					
Rated Output Voltage	L/N/PE, 220/230/240 V					
Output Voltage Range	154-276 V					
Rated Output Frequency	50/60 Hz					
Rated Output Current	13.04 A	16.00 A	20.00 A	21.74 A	26.09 A	34.78 A
Max. Output Current	45 A					
Total Harmonic Distortion	< 3% (R Load)					
On-grid/Off-grid Switching Time	< 10 ms					
<b>Battery (DC)</b>						
Max.Charge/Discharge Power	8000 W / 8000 W					
Battery Voltage Range	85-460 V <sub>DC</sub>					
Max. Charge/Discharge Current	32A / 32 A					
Communication Port	CAN/RS485					
<b>Efficiency</b>						
Max. Efficiency	97.6%					
Max. MPPT Efficiency	99.9%					
Max. European Efficiency	97.0%					
<b>Protection</b>						
Integrated Protection	Anti-flow Protection, DC Reverse Protection, DC Circuit Breaker, Insulation Resistor Detection, GFCI Leakage Current Monitoring, Output Shorted Protection, Output Over Current Protection, Grid Monitoring, Anti-islanding Protection, Residual Current Monitoring, BAT reverse Polarity Protection, BAT Shorted Protection, Off-grid Overload Protection					
Surge Protection	DC Type II, AC Type II					
<b>Display and Communication</b>						
Display	LED+APP					
Communication	RS485 / WiFi, 4G (Optional)					
<b>General Data</b>						
Dimensions (W×H×D)	516×442×222 mm					
Weight	22.5 kg					
Operating Temperature Range	-30~60 °C					
Noise	<30 dB					
Cooling	Natural Convection					
Installation Style	Wall-mounted					
Protection Rating	IP66					
Warranty	10 Years					
<b>Standards Compliance</b>						
Grid Connection	CEI 0-21, UNE 217001, UNE 217002, NTS Type A, VDE 4105, VDE 0126, EN 50438, G98, G99, EN50549, AS 4777.2					
Safety Regulation	EN/IEC 62109-1/2					
Others	EN/IEC 61000-6-1/3					

\*Recommended PV power should be considered by battery capacity and actual household load.

\*\*Max. PV input voltage is 460V when battery input voltage is less than 150V.

\*\*\*The max. input power & current from grid refers to the ability of the inverter to charge the battery and bearing the load at the same time.



# Hybrid Inverter

## SL5-12KRH-W

### Three-Phase

Flexible Design & Use | Energy Independence |  
Convenient Installation & Operation | Smart Management

1

#### Flexible Design & Use

- DC 16A current input, compatible with high power PV module.
- Supports application in retrofit scenario.
- UPS Switching time <10ms.

2

#### Energy Independence

- Fast charging / discharging to meet the demand of higher consumption.
- 110% continuous AC output overloading.
- 130% max. AC output overloading@85s.

3

#### Convenient Installation & Operation

- Unique push-in connectors for time-saving installation.
- Touch free commissioning with smartphone.
- Compact size and elegant appearance.

4

#### Smart Management

- Remote firmware update and customizable settings.
- Free online monitoring to enhance energy management for end user, installer and retailer.
- Programmable supply priority for PV, Battery or Grid.

MODEL	SL5KRH-W	SL6KRH-W	SL8KRH-W	SL10KRH-W	SL12KRH-W
<b>PV (DC)</b>					
Recommended Max. PV Input Power	7500 Wp	9000 Wp	12000 Wp	15000 Wp	18000 Wp
Max. Input Voltage*			1000 V		
Start-up Voltage			135 V		
Rated Input Voltage			600 V		
MPPT Input Voltage Range*			135-900 V		
MPPT Max. Input Current	16 A / 16 A				16 A / 32 A
MPPT Short-circuit Current	20 A / 20 A				20 A / 40 A
No. of MPPT			2		
No. of Strings per MPPT	1 / 1				1 / 2
<b>Grid (AC)</b>					
Max. Input Apparent Power**	10000 VA	12000 VA	16000 VA	20000 VA	24000 VA
Rated Output Power	5000 W	6000 W	8000 W	10000 W	12000 W
Max. Output Apparent Power	5500 VA	6600 VA	8800 VA	11000 VA	13200 VA
Rated AC Voltage	3L/N/PE, 220/380 V, 230/400 V, 240/415 V				
Input/Output Voltage Range	180-300 V / 200-253 V				
Rated Output Voltage Frequency	50 / 60 Hz				
Input/Output Voltage Frequency Range	(45-55) / (55-65) Hz				
Rated Output Current	7.2 A	8.7 A	11.6 A	14.5 A	17.4 A
Max. Input/Output Current	15.2 A / 9.8 A	18.2 A / 11.8 A	24.2 A / 15.8 A	30.3 A / 19.7 A	36.4 A / 23.6 A
Power Factor (Rated)	>0.99				
Adjustable Power Factor Range	0.8 leading ... 0.8 lagging				
Total Harmonic Distortion	<3% (Rated Power)				
Grid Connection Mode	3L/N/PE				
<b>AC Load Output (Off-grid)</b>					
Rated Output Power	5000 W	6000 W	8000 W	10000 W	12000 W
Max. Output Apparent Power	5500 VA	6600 VA	8800 VA	11000 VA	13200 VA
Rated Output Voltage	3L/N/PE, 220/380 V, 230/400 V, 240/415 V				
Output Voltage Range	200-240 V				
Rated Output Frequency	50/60 Hz				
Rated Output Current	7.2 A	8.7 A	11.6 A	14.5 A	17.4 A
Max. Output Current	9.8 A	11.8 A	15.8 A	19.7 A	23.6 A
Total Harmonic Distortion	< 3% (R Load)				
On-grid/Off-grid Switching Time	< 10 ms				
<b>Battery (DC)</b>					
Rated Output Power	5000 W	6000 W	8000 W	10000 W	12000 W
Max.Charge/Discharge Power	12500 W / 5500 W	12500 W / 6600 W	12500 W / 8800 W	12500 W / 11000 W	12500 W / 13200 W
Battery Voltage Range	135-800 V				
Max. Charge/Discharge Current	25 A / 25 A	25 A / 25 A	25 A / 25 A	25 A / 25 A	25 A / 25 A
Communication Port	CAN / RS485				
<b>Efficiency</b>					
Max. Efficiency	97.6%				
Max. MPPT Efficiency	99.9%				
Max. European Efficiency	97.0%				
<b>Protection</b>					
Integrated Protection	Anti-flow Protection, DC Reverse Protection, DC Circuit Breaker, Insulation Resistor Detection, Leakage Current Monitoring, Output Shorted Protection, Output Over Current Protection, Grid Monitoring, Anti-islanding Protection, Residual Current Monitoring, Reverse Polarity Protection, Off-grid Overload Protection.				
Surge Protection	DC Type II, AC Type II				
<b>Display and Communication</b>					
Display	LED+APP				
Communication	Yes: RS485 / USB , Optional: 4G / WiFi				
<b>General Data</b>					
Dimensions (W×H×D)	516×442×222 mm				
Weight	24 kg				
Operating Temperature Range	-30~60°C				
Noise	<35 dB				
Cooling	Smart Cooling				
Installation Style	Wall-mounted				
Protection Rating	IP66				
Warranty	10 Years				
<b>Standards Compliance</b>					
Grid Connection	EN 50549-1, CEI 0-21, AS 4777.2, G98/G99, EN 50438, VDE 4105, VDE 0126				
Safety Regulation	IEC/EN 62109-1/2				
Others	IEC/EN 61000-6-1/2/3/4				

\* Max. DC input voltage is 1000V without battery, 850V with battery. If the voltage is greater than the maximum, the inverter is in standby state.

\*\* Max. grid input power refers to the max. power drawn from the grid, including the supply of off-grid load and battery charging.

# SL-BH High Voltage Battery System

SL-BH series is a high voltage battery that offers multiple energy storage options through an expandable modular design (3-8 modules combined), which further simplifies installation and O&M with multiple smart functions. The safest battery cell technology (LiFePO<sub>4</sub>) comes with a high charging rate, ensuring superior performance.



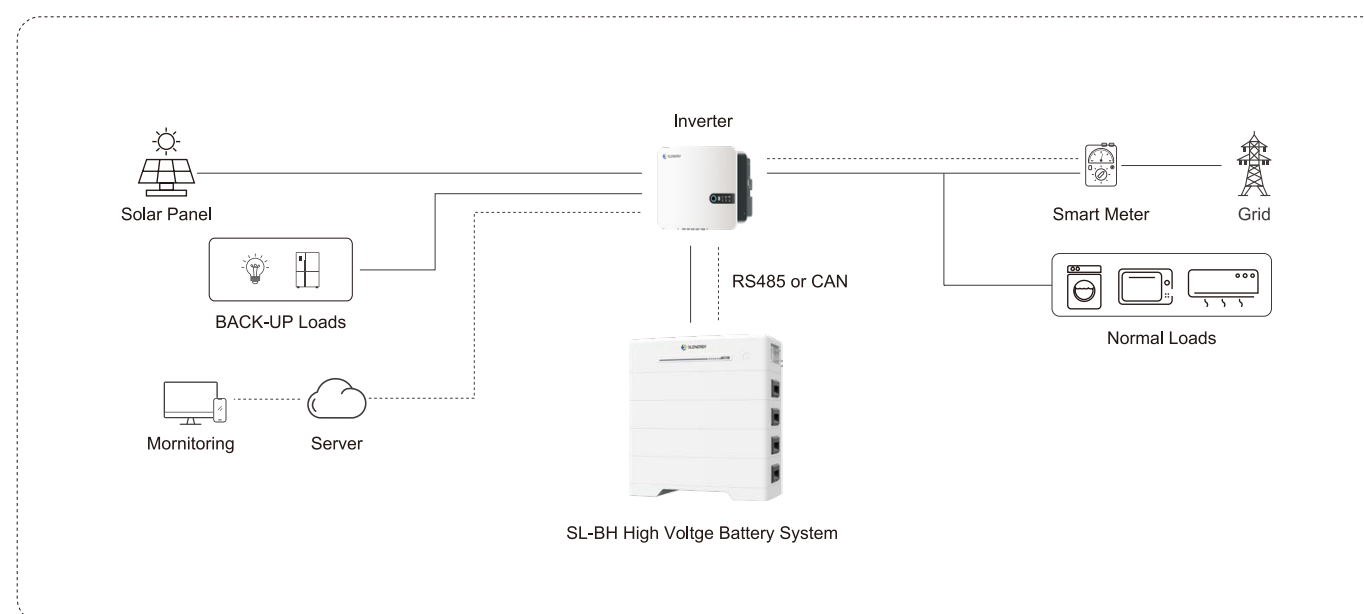
**1** Original battery active balance technology

**2** Flexible capacity options 7.68kWh to 20.48kWh

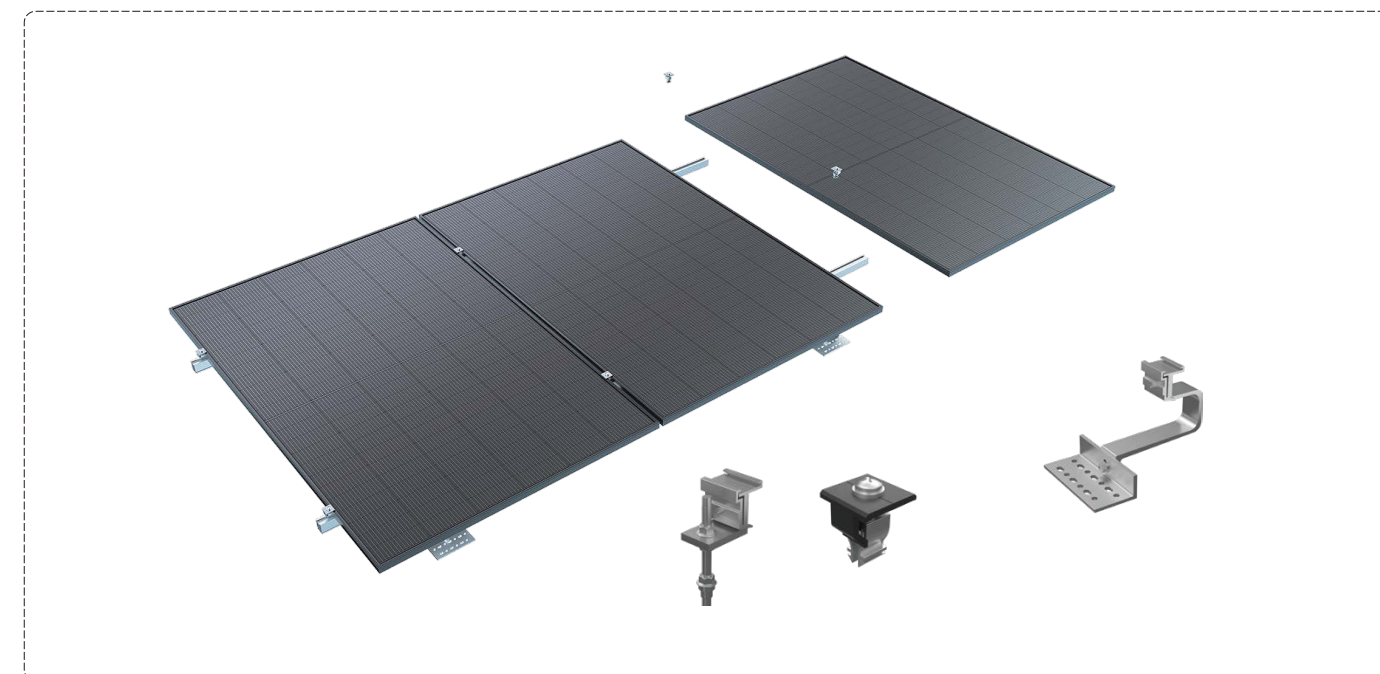
**3** Easy installation with modular and stacked design

**4** Remote diagnosis and real-time data monitoring

Battery						
Model	SL-BH-3-7	SL-BH-4-10	SL-BH-5-12	SL-BH-6-15	SL-BH-7-17	SL-BH-8-20
Electrical Parameters						
NO. of series battery	3	4	5	6	7	8
Rated energy [kWh]	7.68	10.24	12.8	15.36	17.92	20.48
Usable energy [kWh]	6.9	9.2	11.52	13.8	16.13	18.4
Rated voltage [V]	153.6	204.8	256	307.2	358.4	409.6
Voltage range [V]	134.4-172.8	179.2-230.4	224-288	268.8-345.6	313.6-403.2	358.4-460.8
Rated capacity [Ah]	50					
Charge current [A]	25(Recommended)/50(MAX)					
Discharge current [A]	25(Recommended)/50(MAX)					
Cycle times	80% DOD, cycles>6000, residual capacity>70%					
Communication	RS485/RS232/CAN 2.0					
Protection function	Over voltage / Under voltage / Over temperature / Low temperature / Over current / Short circuit					
Size (W×D×H) [mm]	710×320×639	710×320×776	710×320×913	710×320×1050	710×320×1187	710×320×1324
Weight [kg]	118	150.8	183.6	216.4	249.2	282
<b>Working Conditions</b>						
Installation	Indoor					
Working temperature	-10°C-50°C					
Optimum working temperature	20°C-30°C					
Storage temperature	-30°C-60°C					
Protection degree	IP54					
Humidity	5%-95%					
Altitude [m]	≤ 2000					
Cooling	Natural					
Certificate	CE, UN38.3, MSDS, CB/EMC, IP					
<b>Warranty</b>	10 years					



# Mounting System for Tile Roof



## Technical Parameter

Product Name	Solar Mounting System	Design Standard	EN 1991-1-1: 2002
Building Type	Pitched Roof		UNE EN1991-1-3-2018
Tile Type	Concrete Tile, Clay Tile, Slate Tile		UNE EN 1991-1-4-2018
Tilt Angle	15°-60°	Main Material	AL6005-T6(Anodized)
Wind Load	0.52KN/m <sup>2</sup>	Fastener	SUS304 & Zinc-Nickel Alloy Electroplated Steel
Snow Load	0.6KN/m <sup>2</sup>	Small Components	AL6005-T6(Anodized)
Applicable Solar Module	Framed	Color	Silver and black
Panel Layout	Portrait or Landscape	Certificate	TUV

	Item No.	Description	Material		Item No.	Description	Material
	51211786A	Rail H40	AL6005-T6		51230026R	End cap	Silica Gel
	31220174A	Rail Splice	AL6005-T6		55110091	Cable Clip	SUS304
	31101261A	Universal clamp kit	AL6005-T6		31510043A	Grounding Lug	AL6005-T6
	31101262A	Tile Hook	AL6005-T6		51500011F	Earthing Clip	SUS304
	31101263A	Hanger Bolt	AL6005-T6				



# Mounting System for Flat Roof

1

### Non-penetrating Solution

- Non-penetrating roof ballast mounting ensure water-tightness.

2

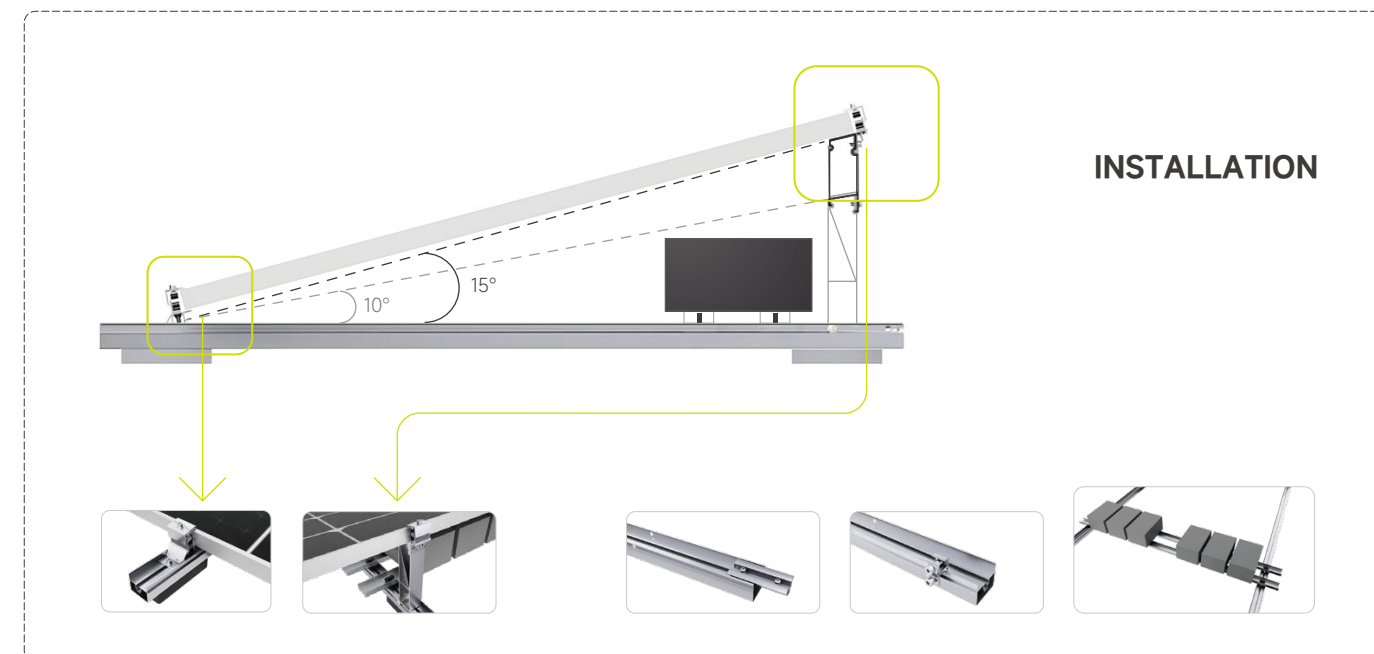
### Fast and Simple Installation

- Fast and simple installation, PV panel's clamp are preassembled on front and rear leg.

3

### Customized Design

- Ballast weight is customizable to different wind zone.



### SPECIFICATION

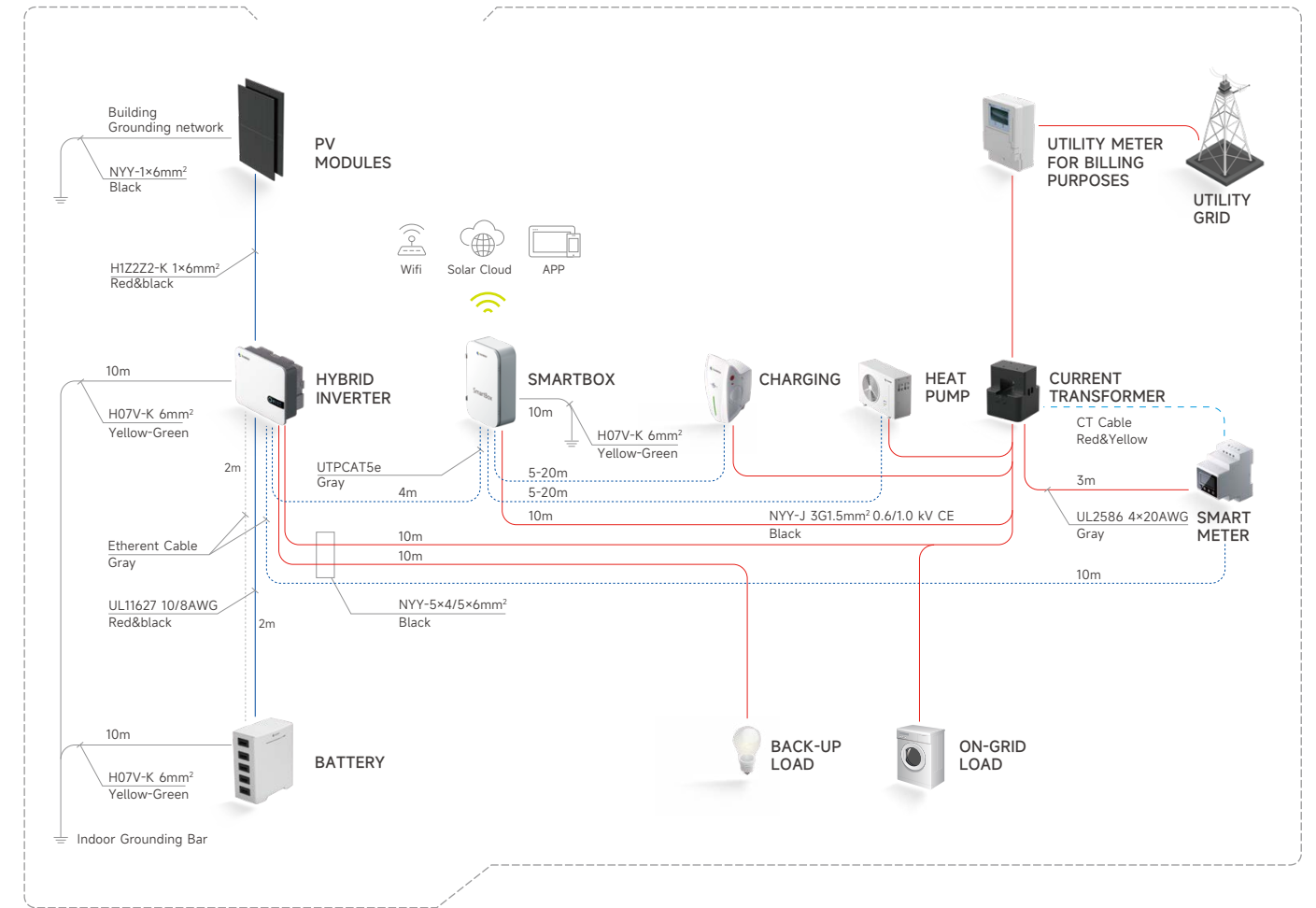
System Name	Solar Mounting System
Building Type	Flat Roof
Tilt Angle	10°-15°
Wind Load	1.5kN/m <sup>2</sup>
Snow Load	1.0kN/m <sup>2</sup>
Applicable Solar Module	Framed
Panel Layout	Landscape
Design Standard	BS EN, ASCE7-10, BS 6399, AS-NZS 1170, GB 50009-2012, MS 1553
Material	AL-6005-T6, SUS304
Color	Silver/Black
Warranty	10-year

### COMPONENT

1		Rubber block	5		Grounding lug kit
2		15° leg extension kit	6		South single leg kit
3		Bottom beam splice kit	7		East-west single leg kit
4		Rotary clip			C steel

# Cable Set

Wide application flexibility | Superior durability and longevity |  
 Cost and time savings with connectors prefabricated |  
 Standardized wire length, pre-installed plugs



## iShare-Home Wiring Connection-RS-DE

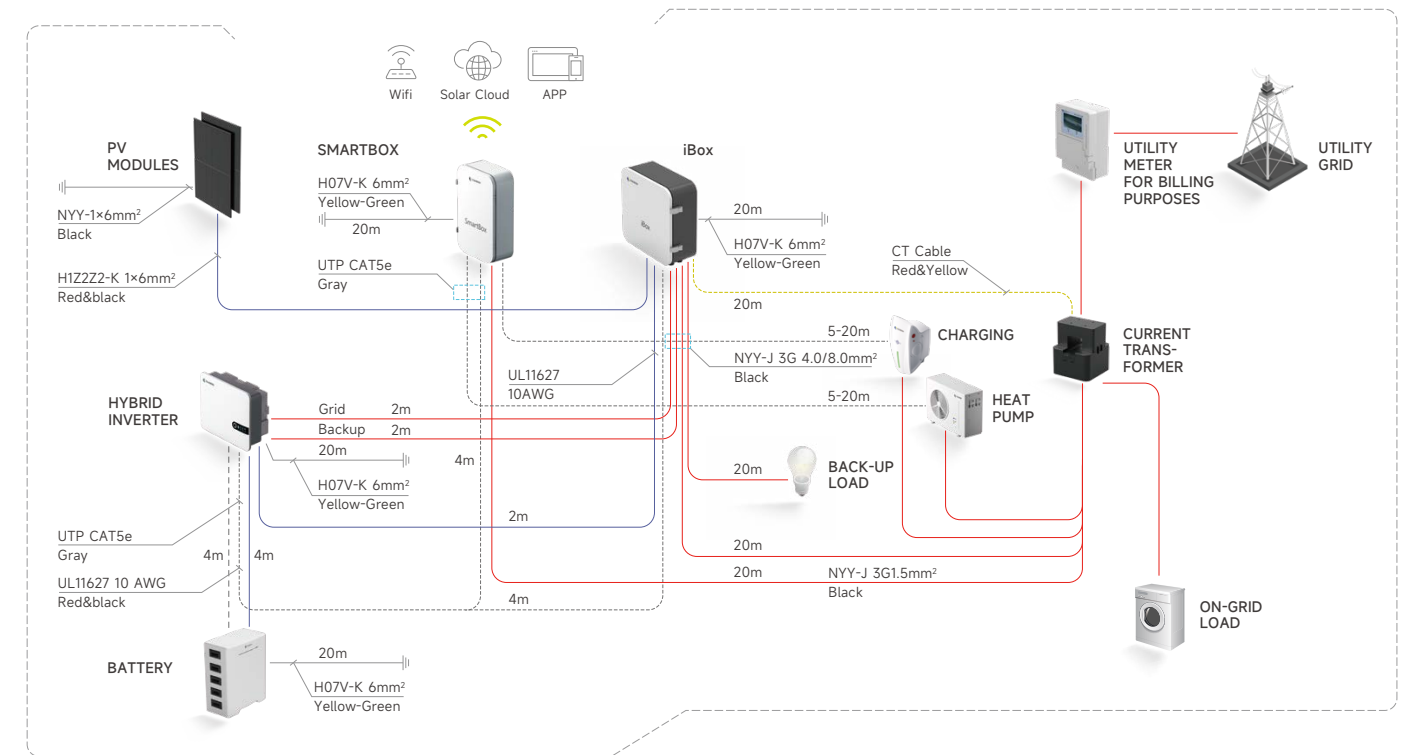
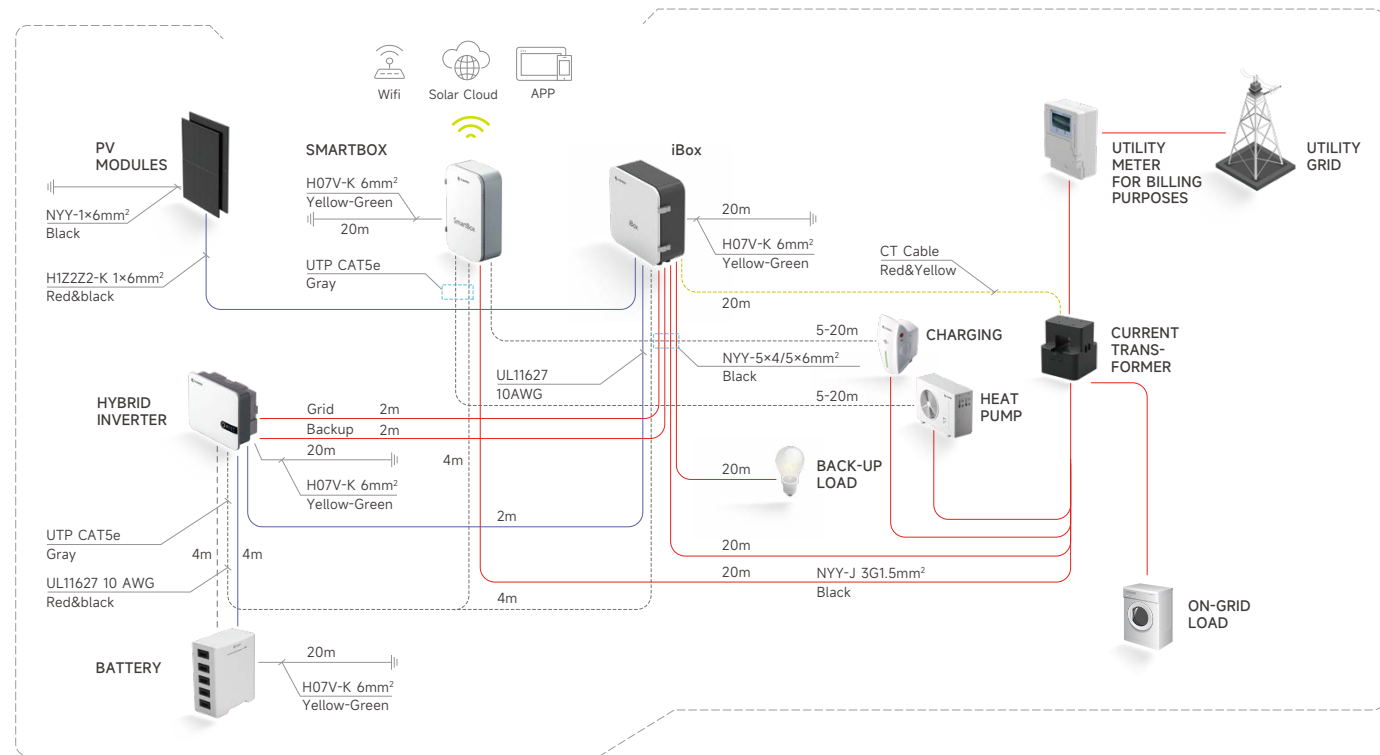
No.	Name	Specification	From	To	Remark	Length(m)	Accessory bag
1	PV DC Cable	H1Z2Z2-K 1×6mm <sup>2</sup>	PV Modules	Inverter PV connector	Cable terminals are made and installed on site	80 ~ 160	MC4 Connector
2	Inverter to Battery DC Cable	UL 11627 10AWG/8AWG	Inverter Battery connector	Battery output connector	Cable terminals are prefabricated and installed at the factory	4	-
3	On Grid AC Cable	NYY- 5×4mm <sup>2</sup>	Inverter On-grid output terminal	Original distribution box	Inverter side terminal is prefabricated and installed at the factory	10	-
4	Backup AC Cable	/5×6mm <sup>2</sup>	Inverter Backup output terminal	Back-up loads		10	-
5	Inverter & Battery PE	H07V-K 6mm <sup>2</sup>	Inverter & Battery grounding hole	External grounding Bar	Inverter & Battery side terminals are prefabricated and installed at the factory	20	-
6	SmartBox PE		SmartBox grounding hole		SmartBox side terminals are prefabricated and installed at the factory	10	-
7	SmartBox Power Cable	NYY-J 3G1.5mm <sup>2</sup>	SmartBox	Original distribution box	SmartBox side terminal is prefabricated and installed at the factory	10	
8	PV Roof Grounding	NYY-1×6mm <sup>2</sup>	PV supporting bracket	External ground Bar	Cable terminals are made and installed on site	40 ~ 60	-
9	Communication Cable	UTP CAT5e		Inverter Multi-com Connector (COM2)	Meter	10	-
				Battery		3	-
				Inverter	Both side terminals are prefabricated and installed at the factory	4	-
				SmartBox	Heat pump	5 ~ 20	-
				EV Charger	5 ~ 20	-	
10	Meter Cable	H03VV-F 4×0.5mm <sup>2</sup>	Meter terminal (1,2,3,4)	Grid (L1, L2, L3, N)	Meter side terminal is prefabricated and installed at the factory	3	-

**1** Wide application flexibility

**2** Superior durability and longevity

**3** Cost and time savings with connectors prefabricated

**4** Standardized wire length pre-installed plugs



**iShare-Home Wiring Connection-RS(B)-ES&IT**

No.	Name	Specification	From	To	Remark	Length(m)	Accessory bag
1	PV DC Cable	H1Z2Z2-K 1x6mm²	PV Modules	iBox PV input connector	Cable terminals are made and installed on site	40-80m*2	MC4 Connector
2	iBox to Inverter DC Cable	UL 11627 10AWG	Inverter Battery connector	Battery output connector	Cable terminals are prefabricated and installed at the factory	2m*2	-
3	Inverter to iBox DC Cable	UL 11627 10AWG	Inverter AC output connector	iBox AC input connector	Both side terminals are prefabricated and installed at the factory	4m*2	-
4	Inverter to iBox AC Cable (On grid)		Inverter AC output connector	iBox AC input connector	Cable terminals are prefabricated and installed at the factory	2m	-
5	Inverter to iBox AC Cable (Backup)	NYJ 5x4mm² / 5x6mm²				2m	-
6	iBox to Utility Distribution Box (On grid)		iBox AC Output connector	Utility Distribution Box	iBox side terminal is prefabricated and installed at the factory	20m	-
7	iBox to Utility Distribution Box (Backup)		iBox AC Output connector	Utility Distribution Box		20m	-
8	SmartBox Power Cable	NYJ 3G1.5mm²	SmartBox		SmartBox side terminal is prefabricated and installed at the factory	20m	-
9	Inverter PE		Inverter grounding hole		Inverter side terminals are prefabricated and installed at the factory	20m	-
10	Battery PE	H07V-K 6mm²	Battery grounding hole		Battery side terminals are prefabricated and installed at the factory	20m	-
11	iBox PE		iBox Grounding hole	External grounding Bar	Inverter & Battery side terminals are prefabricated and installed at the factory	20m	-
12	SmartBox PE		SmartBox Grounding hole		SmartBox terminal is prefabricated and installed at the factory	20m	-
13	PV Roof Grounding	NYJ 1x6mm²	PV supporting bracket		Cable terminals are made and installed on site	40-60m	-
14	Communication Cable	UTP CAT5e	Inverter Multi-com Connector (COM2)	iBox		2m	-
				Battery		4m	-
				Inverter Multi-com Connector (COM2)		4m	-
				SmartBox	Heat pump	5-20m	-
				EV Charger	5-20m	-	

**iShare-Home Wiring Connection-LS(B)-ES&IT**

No.	Name	Specification	From	To	Remark	Length(m)	Accessory bag
1	PV DC Cable	H1Z2Z2-K 1x6mm²	PV Modules	iBox PV input connector	Cable terminals are made and installed on site	20-60m*2	MC4 Connector
2	iBox to Inverter DC Cable	UL 11627 10AWG	Inverter Battery connector	Battery output connector	Both side terminals are prefabricated and installed at the factory	2m*2	-
3	Inverter to iBox DC Cable	UL 11627 10AWG	Inverter AC output connector	iBox AC input connector	Both side terminals are prefabricated and installed at the factory	4m*2	-
4	Inverter to iBox AC Cable (On grid)		Inverter AC output connector	iBox AC input connector	Cable terminals are prefabricated and installed at the factory	2m	-
5	Inverter to iBox AC Cable (Backup)	NYJ 3G4mm² / 8mm²				2m	-
6	iBox to Utility Distribution Box (On grid)		iBox AC Output connector	Utility Distribution Box	iBox side terminal is prefabricated and installed at the factory	20m	-
7	iBox to Utility Distribution Box (Backup)		iBox AC Output connector	Utility Distribution Box		20m	-
8	SmartBox Power Cable	NYJ 3G1.5mm²	SmartBox		SmartBox side terminal is prefabricated and installed at the factory	20m	-
9	Inverter PE		Inverter grounding hole		Inverter side terminals are prefabricated and installed at the factory	20m	-
10	Battery PE	H07V-K 6mm²	Battery grounding hole		Battery side terminals are prefabricated and installed at the factory	20m	-
11	iBox PE		iBox Grounding hole	External grounding Bar	iBox terminal is prefabricated and installed at the factory	20m	-
12	SmartBox PE		SmartBox Grounding hole		SmartBox terminal is prefabricated and installed at the factory	20m	-
13	PV Roof Grounding	NYJ 1x6mm²	PV supporting bracket		Both side terminals are made and installed on site	20-60m	-
14	Communication Cable	UTP CAT5e	Inverter Multi-com Connector (COM2)	iBox		2m	-
				Battery		4m	-
				Inverter Multi-com Connector (COM2)		4m	-
				SmartBox	Heat pump	5-20m	-
				EV Charger	5-20m	-	



# iBox

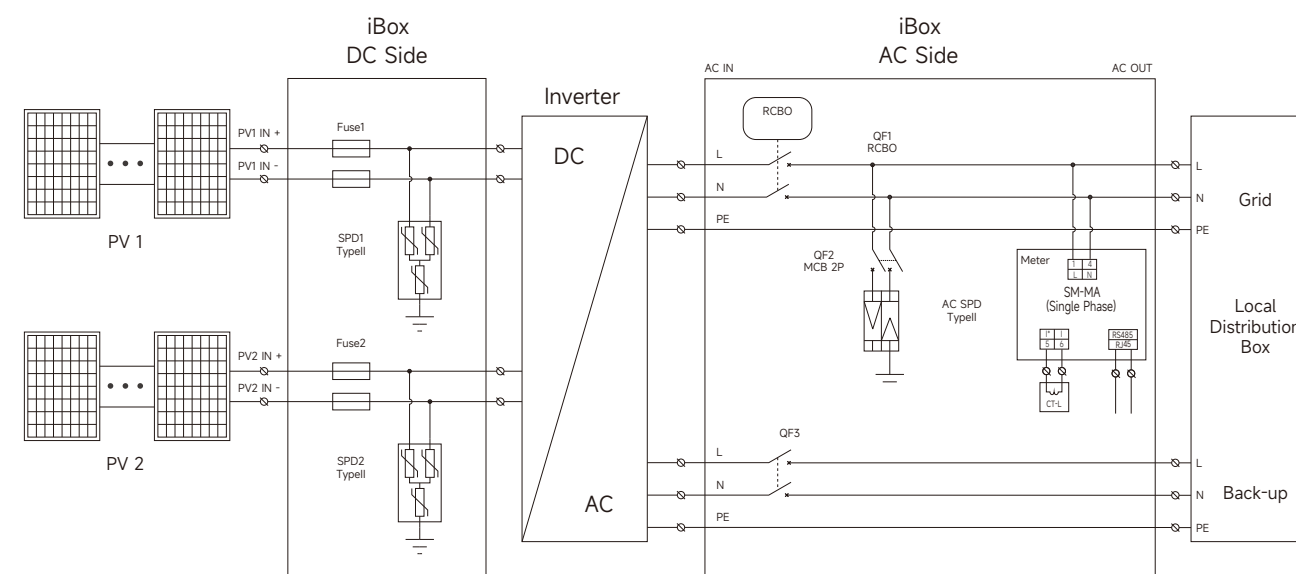
## SL-BH5KL/SL-BH10KL

### Single-Phase

- Power Up with AC/DC Switching Capability
- Shield Your DC Circuit with Surge Protection
- AC Side: Surge Protection, Backup Safety, and the Intelligent RCBO Circuit Breaker
- Built-In Smart Meter: Real-Time Monitoring of Current, Voltage, Power, and Generation
- Rugged Enclosure: Pure Sheet Metal, IP54 Protection
- Effortless Connectivity: Plug-and-Play Input/Output Lines

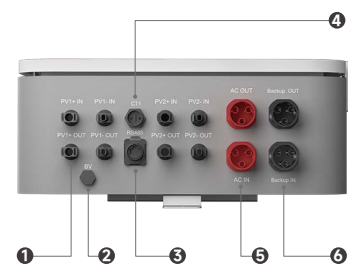


### Circuit Diagram



iBox		SL-BH5KL	SL-BH10KL
<b>DC Side</b>			
Max input/output voltage	[V <sub>DC</sub> ]	600	600
Max input/output current	[A]	15	15
<b>AC Side/Backup</b>			
Rated input/output voltage	[V <sub>AC</sub> ]	240	240
Max input/output current	[A]	25	45.4
Rated Frequency	[Hz]	50/60	50/60
<b>Working environments</b>			
Operation Temperature	[°C]	-10~+50	-10~+50
Relative Humidity		98% Non condensation	98% Non condensation
Altitudes	[m]	≤2000	≤2000
IP Degree	v	IP54	IP54
Installation methods		Indoor, Hanging	Indoor, Hanging
<b>Standards &amp; Certifications</b>			
Standards		IEC61439-1	IEC61439-1
		IEC61439-2	IEC61439-2
Certifications		CE	CE
Dimensions W×H×D	[mm]	400×450×160	400×450×160
Weight	[kg]	16	17

### SL-BH5KL/SL-BH10KL



1. PV Input/Output Terminal
2. BV
3. RS485
4. CT
5. On-grid Input/Output Terminal
6. Back-up Input/Output Terminal

# iBox

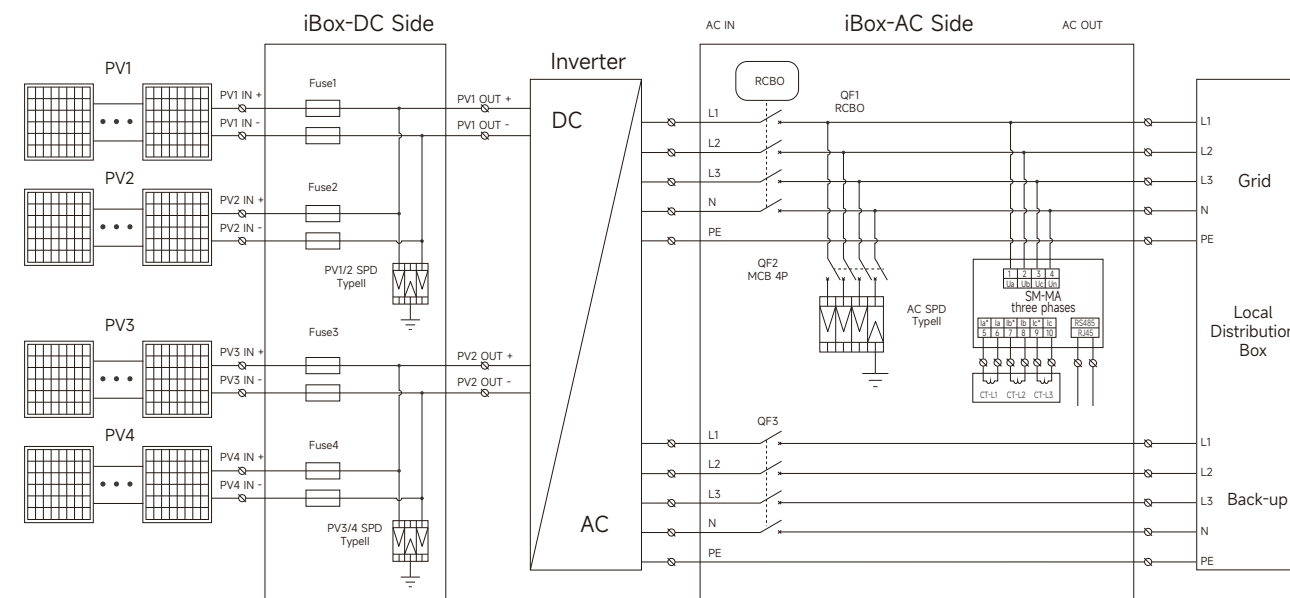
## SL-BH12KR/SL-BH15KR

### Three-Phase

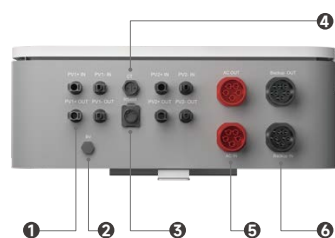
- Power Up with AC/DC Switching Capability
- Shield Your DC Circuit with Surge Protection
- AC Side: Surge Protection, Backup Safety, and the Intelligent RCBO Circuit Breaker
- Built-In Smart Meter: Real-Time Monitoring of Current, Voltage, Power, and Generation
- Rugged Enclosure: Pure Sheet Metal, IP54 Protection
- Effortless Connectivity: Plug-and-Play Input/Output Lines



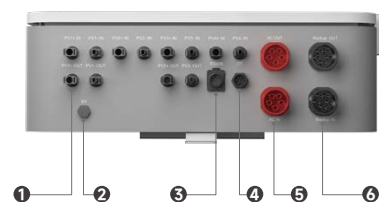
#### Circuit Diagram SL-BH15KR



#### SL-BH12KR

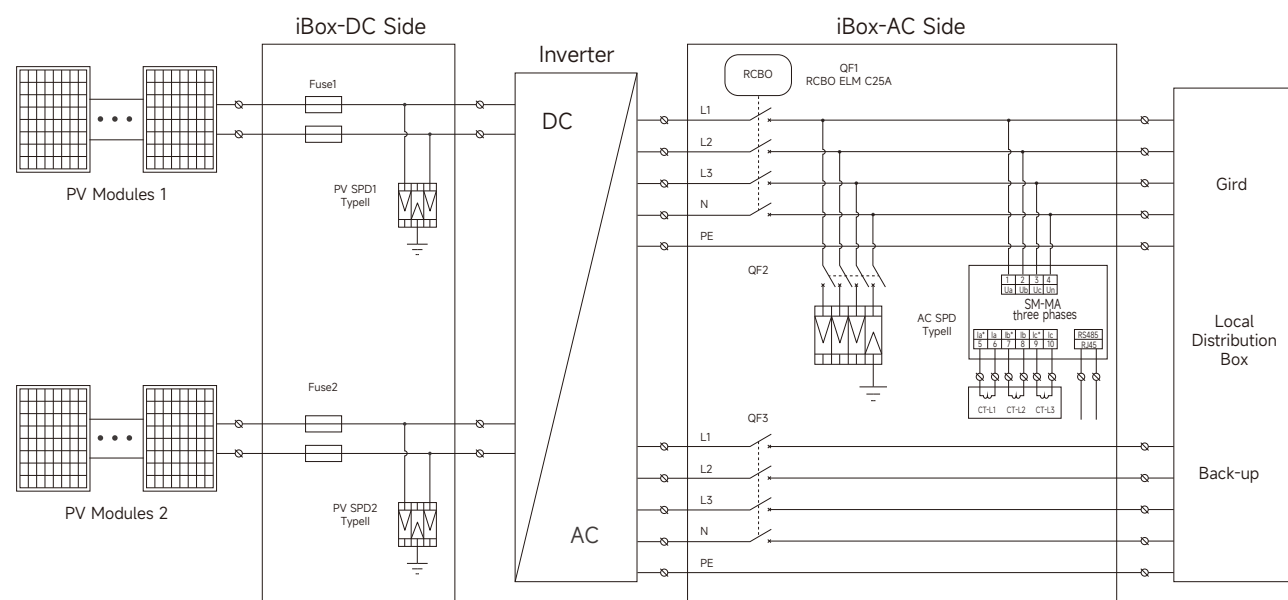


#### SL-BH15KR



1. PV Input/Output Terminal
2. BV
3. RS485
4. CT
5. On-grid Input/Output Terminal
6. Back-up Input/Output Terminal

#### Circuit Diagram SL-BH12KR



iBox		SL-BH12KR	SL-BH15KR
<b>DC Side</b>			
Max input/output voltage	[V <sub>dc</sub> ]	1000	1000
Max input current	[A]	15	15
Max output current	[A]	15	30
<b>AC Side/Backup</b>			
Rated input/output voltage	[V <sub>ac</sub> ]	415	415
Max input/output current	[A]	20	25
Rated Frequency	[Hz]	50/60	50/60
<b>Working environments</b>			
Operation Temperature	[°C]	-10~+50	-10~+50
Relative Humidity		98% Non condensation	98% Non condensation
Altitudes	[m]	≤2000	≤2000
IP Degree		IP54	IP54
Installation methods		Indoor, Hanging	Indoor, Hanging
<b>Standards &amp; Certifications</b>			
Standards		IEC61439-1	IEC61439-1
		IEC61439-2	IEC61439-2
Certifications		CE	CE
Dimensions W×H×D	[mm]	475×425×175	525×425×175
Weight	[kg]	18	20

# SmartBox

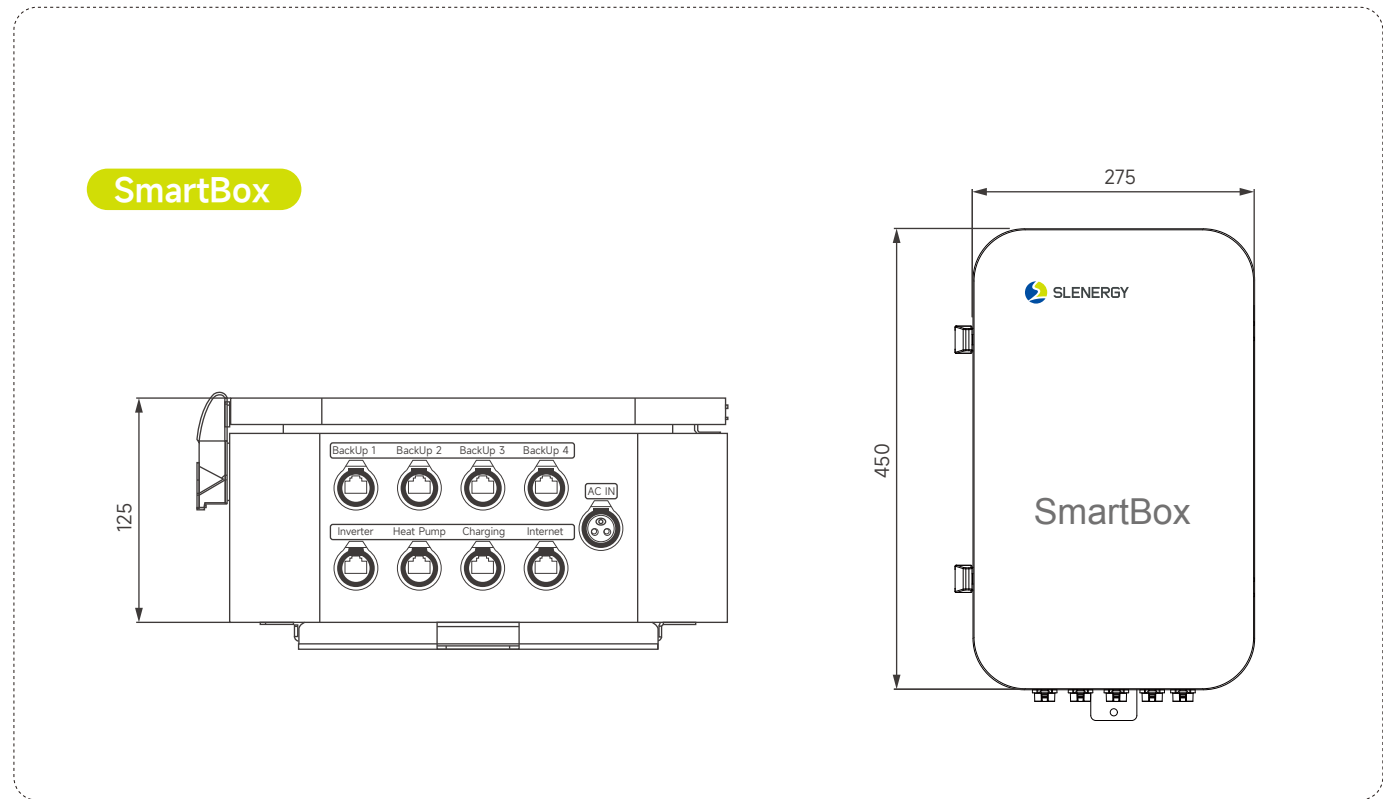
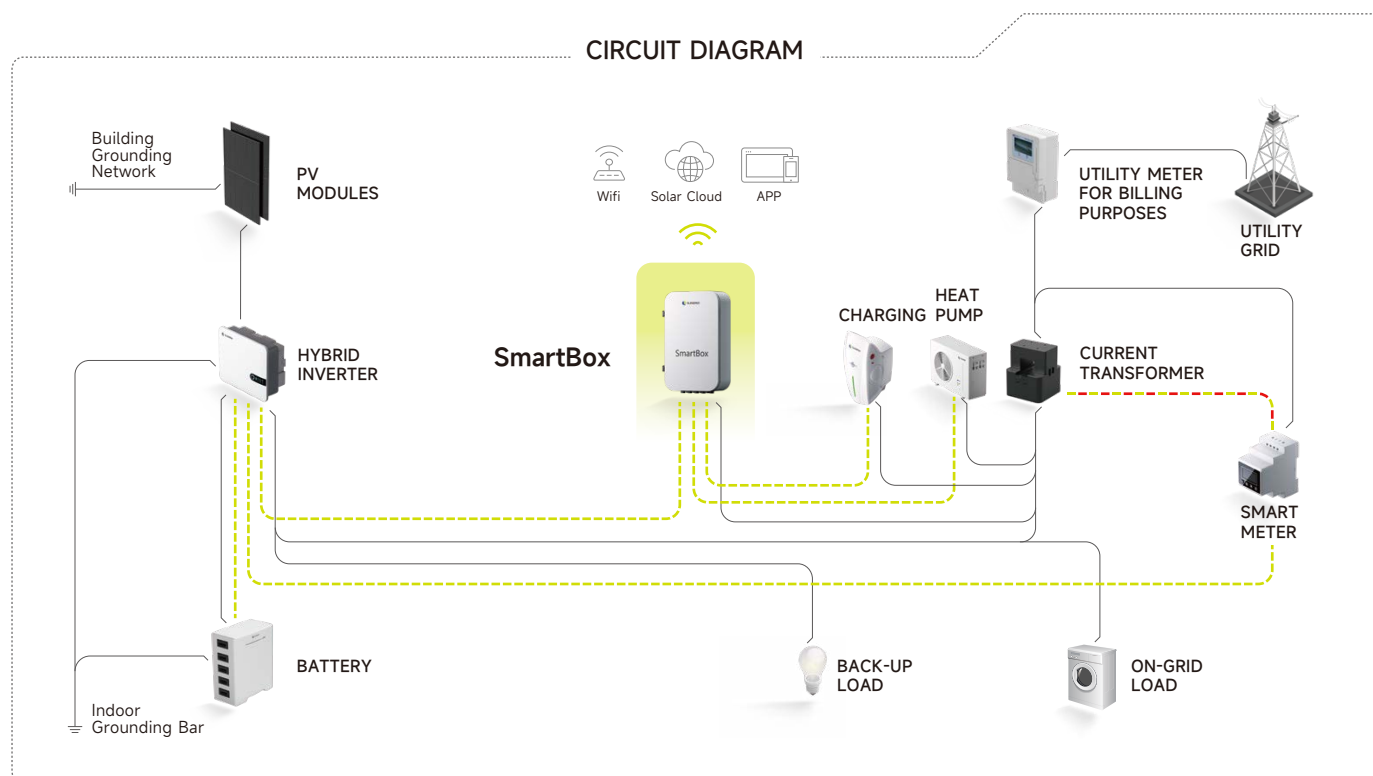
SmartBox is an IoT intelligent hardware that real-time collects operational data from connected slave devices such as smart meters, inverters, charging stations, heat pumps, etc. The collected generation and consumption data are integrated to achieve intelligent centralized management of energy.



- 1 Plug and Play**
  - Instantly recognizes and integrates connected devices.
  - No need for complex device configurations.
- 3 Flexible Energy Management Strategies**
  - Offers a variety of selectable energy management strategies.
- 5 Optimal Utilization of Clean Energy**
  - Maximizes the use of renewable energy sources.
  - Helps users save on electricity costs.

- 2 Versatile Connectivity**
  - Supports Ethernet, WiFi, Bluetooth connectivity options.
  - Compatible with Modbus and other bus communication protocols.
- 4 Mobile App Integration**
  - User-friendly mobile application for convenient control and monitoring.

## CIRCUIT DIAGRAM



## SMARTBOX

AC Side		
Max input/output voltage	[V <sub>ac</sub> ]	230
Frequency	[Hz]	50/60
Max input/output current	[A]	1
Communication		
Interface		LAN/RS485
Number of interfaces		8
Working Environment		
Operation Temperature	[°C]	-10~+50
Relative Humidity		98% Non-condensation
Altitudes	[m]	≤2000m
IP Degree		IP54
Installation method		Indoor, Hanging
Standards & Certifications		
Standards		IEC61439-1
		IEC61439-2
Certifications		CE
Dimensions W×H×D	[mm]	450×275×125
Weight	[kg]	9

# Heat Pump

## SL-HP9KL/13KR / SL-HP18KR



### 1 Economical and Environmentally

- Heat pump uses the R290 eco-friendly refrigerant whose GWP is lower than 20 and helps curb global warming. The heat pump with R290 reaches higher efficiency than those with other refrigerants.

### 3 Full DC Inverter Technology

- The Heat Pump adopts full DC inverter technology, which can automatically adjust the frequency according to the ambient temperature to achieve a more constant temperature and bring users a quite comfortable experience at home.

### 5 IOT Function

- Connect the App to check the realtime running status, historical records and control the heat pump remotely.

### 7 Perfectly Compatible with Solar Systems

- Optimizing energy coordination control for height-ened efficiency and sustainable power utilization.

### 2 ErP Excellent

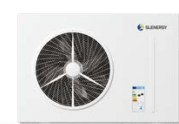
- Complying with ErP directives, Heat pump attains the A+++ energy label, which meets users' needs for low energy bills.

### 4 Low Noise

- Slenergy devotes to creating a pretty quiet running environment for the user through multiple noise reduction measures.

### 6 Colored Wire Controller

- The Heat pumps utilize an intelligent color LCD display with high definition interface and powerful functions, which is very friendly and helpful for users to view and control.



Single-Fan Cabinet: SL-HP9KL/13KR



Double-Fan Cabinet: SL-HP18KR

Mode: NE-F	SL-HP9KL	SL-HP13KR	SL-HP18KR
Power Supply	220-240V~/50Hz	380-415V/3N~/50Hz	
[Space Heating] Ambient Temp. (DB/WB): 7°C/6°C, Water Temp. (Inlet/Outlet): 30°C/35°C.			
Heating Capacity	[kW] 3.50-8.81	4.50-12.74	6.30-18.00
Power Input	[kW] 0.58-1.89	0.75-2.82	1.05-3.92
Heating Current Input Range	[A] 2.65-8.18	1.23-4.61	1.71-6.40
COP	6.00-4.65	6.00-4.52	6.00-4.59
[Space Heating] Ambient Temp. (DB/WB): 7°C/6°C, Water Temp. (Inlet/Outlet): 50°C/55°C.			
Heating Capacity	[kW] 3.15-7.98	3.90-11.25	5.7-16.20
Power Input	[kW] 0.68-2.55	0.85-3.66	1.24-5.58
Heating Current Input Range	[A] 3.11-11.00	1.39-5.98	2.02-9.12
COP	4.63-3.13	4.59-3.07	4.60-2.90
[Space Cooling] Ambient Temp. (DB/WB): 35°C/-, Water Temp. (Inlet/Outlet): 12°C/7°C.			
Cooling Capacity	[kW] 1.53-5.96	2.93-8.87	4.0-13.5
Power Input	[kW] 0.33-2.11	0.63-3.26	0.86-4.50
Cooling Current Input Range	[A] 1.51-9.13	1.03-5.33	1.41-7.35
EER	4.64-2.82	4.65-2.72	4.63-3.0
[Hot Water] Ambient Temp. (DB/WB): 20°C/15°C, Water Temp. from 15°C to 55°C.			
Heating Capacity	[kW] 9.33	13.9	19.8
Power Input	[kW] 2.14	3.28	4.60
Hot Water Current Input Range	[A] 9.8	5.36	7.51
COP	4.35	4.24	4.3
Max. Power Input	[kW] 4	5	6.5
Max. Running Current	[A] 18.3	8.7	11.3
Max. Outlet Water Temp.	[°C]	75	
Operation Range	[°C]	-25-43	
Power Supply	220-240V~/50Hz	380-415V/3N~/50Hz	
Rated Water Flow	[m³/h] 1.5	2.19	3.1
Water Pressure Drop	[kPa] 37	41	60
Expansion Tank	[L] 2	2	5
Compressor Brand	HIGHLY	HIGHLY	HIGHLY
Water Side Heat Exchanger		Plate Heat Exchanger	
Air Side Heat Exchanger		Finned Heat Exchanger	
CO <sub>2</sub> Equivalent	[Ton] 0.0023	0.0029	0.0049
ErP Level	[35°C]	A+++	
ErP Level	[55°C]	A++	
Display		4-inch Colored Touch Screen	
Wi-Fi Function		YES	
Refrigerant Type		R290	
Refrigerant Weight	[KG] 0.78	0.94	1.65
Sound Pressure Level dB	[A] at 1m 43-54	43-55	44-56
Sound Power Level dB	[A] at 1m 57.7-68.7	57.7-69.7	59.5-71.5
Water Pipe Connection	[inch]	G1 1/4"	
Fan Motor Type	DC motor	DC motor	DC motor
Fan Quantity	1	1	2
Water Proof Class		IPX4	
Electricity Shock Proof		I	
Net Weight	[kg] 100	121	186
Net Dimensions (L×W×H)	[mm] 1263×440×875	1263×440×875	1263×440×1375
Carton Dimensions (L×W×H)	[mm] 1327×455×1020	1327×455×1020	1327×455×1525
Shipping Weight	[kg] 133	154	206
Wooden Box Dimensions (L×W×H)	[mm] 1347×475×1040	1347×475×1040	1347×475×1530
Shipping Weight	[kg] 138	159	240



# Smart EV Charger

## SL-CH SERIES

**1** **Dynamic Load**  
Balancing for Home is Available

**2** **Full Protection**  
for Home Using

**3** **Various Start-up Mode**  
Plug and Play, RFID, APP, OCPP

**4** **TYPE A +**  
DC6mA Leakage Sensor Built-in

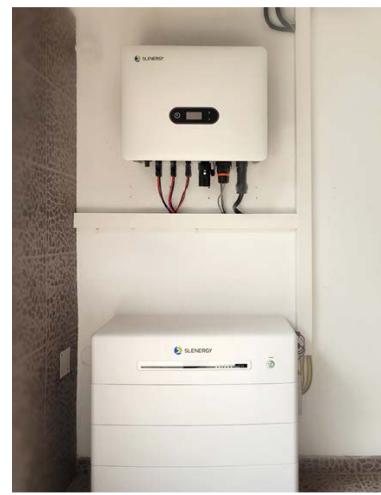
**5** **Various Charging Modes**  
(Adjustable by App)

**6** **Perfectly Compatible**  
with Solar Systems

MODEL	SL-CH7KL-C	SL-CH7KL-B	SL-CHIIKR-C	SL-CHIIKR-B
Rated Power [kW]	7	7	11	11
Charging Mode	MODE 3 Case C (Plug version)	MODE 3 Case B (Socket version)	MODE 3 Case C (Plug version)	MODE 3 Case B (Socket version)
<b>Electrical Data</b>				
Mains Voltage [V <sub>Ac</sub> ]	230±10%		400±10%	
Mains Frequency [Hz]	50/60		50/60	
Max. Output Current [A]	32		16	
Network Configuration	1P+N+PE		3P+N+PE	
Standby Power Consumption [W]	<2		<2	
<b>General Data</b>				
Weight [kg]	4.3	3.5	5.9	4.5
Product Colour	White/Black		White/Black	
Enclosure Material	PC+ABS		PC+ABS	
Packing	Corrugated box with EPE inside		Corrugated box with EPE inside	
Dimensions (W×H×D) [mm]	380*170*200			
Cooling	Natural Convection		Natural Convection	
Plug & Socket	Plug & IEC 62196 Type 2	Socket	Plug & IEC 62196 Type 2	Socket
Earth Leakage Protection	TYPE A + DC6mA leakage sensor built-in		TYPE A + DC6mA leakage sensor built-in	
Start Mode	RFID Card APP (offline) Plug and Play (PnP) Via OCPP		RFID Card APP (offline) Plug and Play (PnP) Via OCPP	
Communication	WiFi/Ethernet (Connect Platform) Bluetooth (APP) RS485		WiFi/Ethernet (Connect Platform) Bluetooth (APP) RS485	
Communication Protocol	OCPP1.6J		OCPP1.6J	
Protection Function	Over Voltage & Under Voltage Protection Emergency Stop Leakage Protection Ground Protection Over Current Protection CP Signal Short Circuit Protection Over Temperature Protection Lightning Protection Contactor Adhesion Protection			
IP/IK Degree	IP65 IK10	IP55 IK10	IP65 IK10	IP55 IK10
Ambient Temperature	-25~+55°C		-25~+55°C	
Operating Humidity	<95% No condensation		<95% No condensation	
<b>Certificate</b>				
CE Certificate	CE, ROHS			



# PRODUCT APPLICATION CASES



Product Application Cases



Partner Training & Guidance Tour